

MSHZ0351B



General					
Refrigerant	Voltage	Compressor Type	Compressor Model	HP	Listings
R-404a	200-230/60/1	SCROLL	ZB26KCE-PFV	4HP	UL/CUL

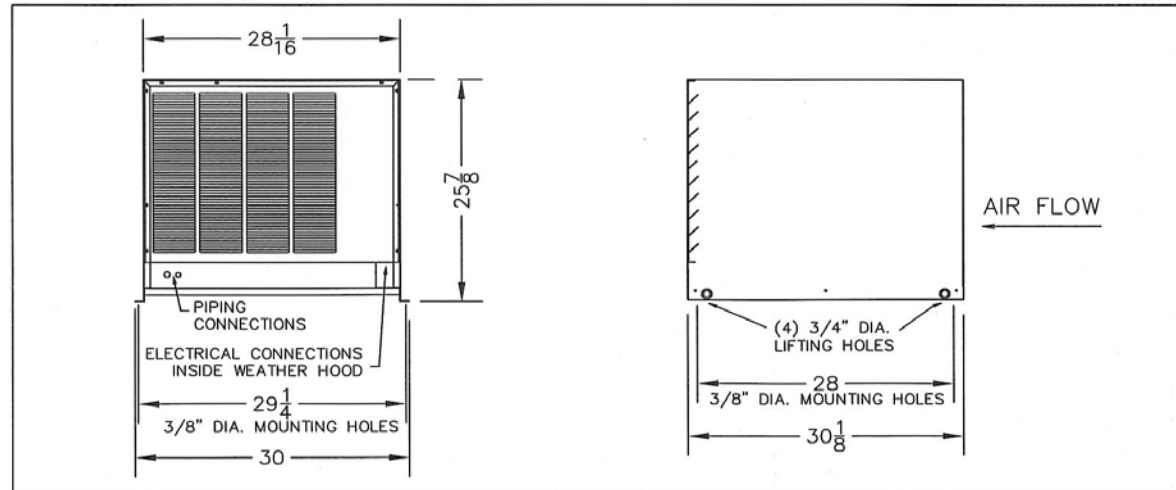
Capacity (Btuh)					
At Room Temp. With a 10° TD, 90° Ambient					
-20	-10	0	30	35	40
			29464	32205	34892

Dimensional Data				
Overall			Base Size	Base/Hood
L	W	H		
30	31	26	M3	031M

Installation				
Wt. Lbs.	Receiver Tank 90%/90°F	Connections Liquid	Suction	Refrigerant
510	15.2	5/8	1.125	R-404a

Electrical							
MCA	MOP	comp volts	comp phase	comp hz	comp RLA	comp LRA	other volts
39	60	200/230	1	60	23.6	127	208/230
fan phase	fan hz	fan FLA	fan HP	fan quantity	other load phase	other load amps	Approximate Sound Level (Db)
1	60	1.6	1/4	1	1	0.5	73

max evap fan amps	max evap def heater amps
7	30



CONDENSING UNITS & REFRIGERATION SYSTEMS

