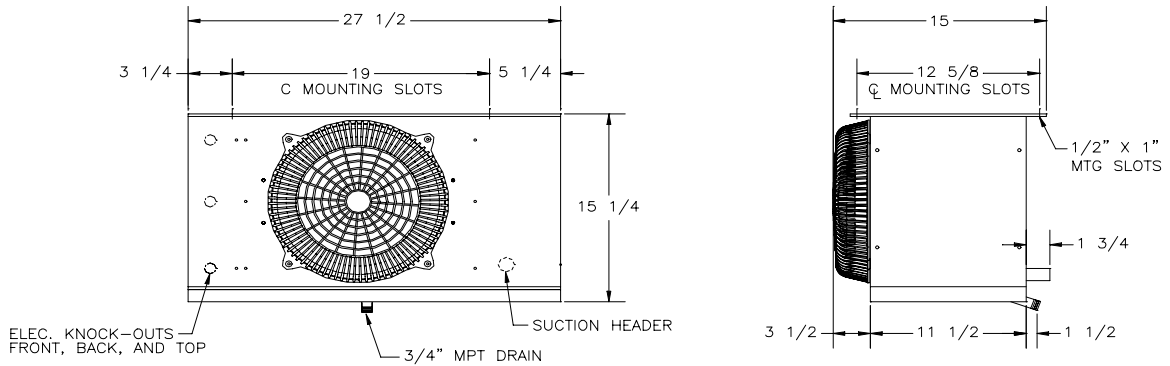


**E1HZ0104A**



General				
Refrigerant	Voltage	Evaporator Model		
R-404A	115/60/1	SA28-106BA		
Capacity (Btuh)				
-20	-10	0	30	40
0	0	0	0	10600
Dimensional Data				
Overall				
L	W	H		
46	15	16		
Installation				
Ship Weight	Connections		Refrigerant	
	Liquid	Suction		
71	1/2	7/8	R-404A	
Electrical				
No. of Fans	Fan Amps	Defrost Amps		
2	1.6	0.0		
Expansion Valve				
TXV Part No.	Sporlan Part No.	Inlet	Outlet	Orifice
09-09478	EBFSE-A-C	3/8	1/2	



Due to continuous product development, specifications and other information listed here are subject to change without notice

