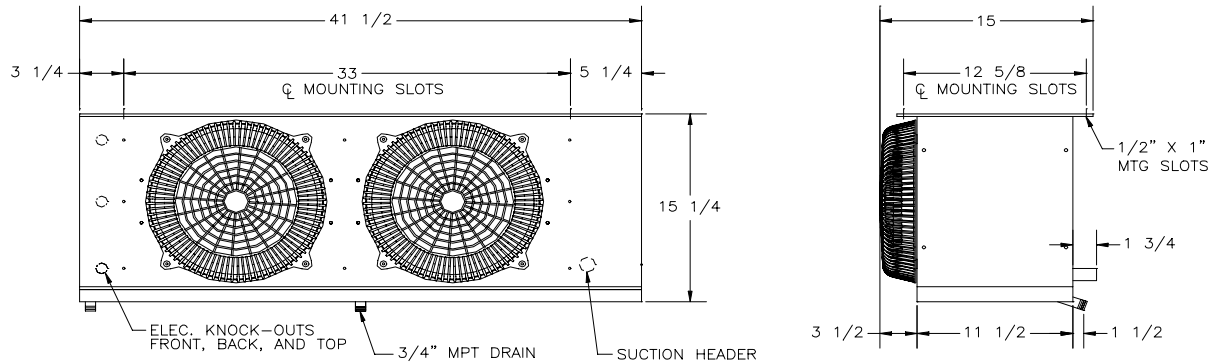


E1HZ0090A



| General | | | | |
|------------------|------------------|------------------|-------------|---------|
| Refrigerant | Voltage | Evaporator Model | | |
| R-404A | 115/60/1 | SA28-97BA | | |
| Capacity (Btuh) | | | | |
| -20 | -10 | 0 | 30 | 40 |
| 0 | 0 | 0 | 0 | 9700 |
| Dimensional Data | | | | |
| Overall | | | | |
| L | W | H | | |
| 42 | 15 | 16 | | |
| Installation | | | | |
| Ship Weight | Connections | | Refrigerant | |
| | Liquid | Suction | | |
| 69 | 1/2 | 7/8 | R-404A | |
| Electrical | | | | |
| No. of Fans | Fan Amps | Defrost Amps | | |
| 2 | 1.8 | 0.0 | | |
| Expansion Valve | | | | |
| TXV Part No. | Sporlan Part No. | Inlet | Outlet | Orifice |
| 09-09478 | EBFSE-A-C | 3/8 | 1/2 | |



Due to continuous product development, specifications and other information listed here are subject to change without notice

