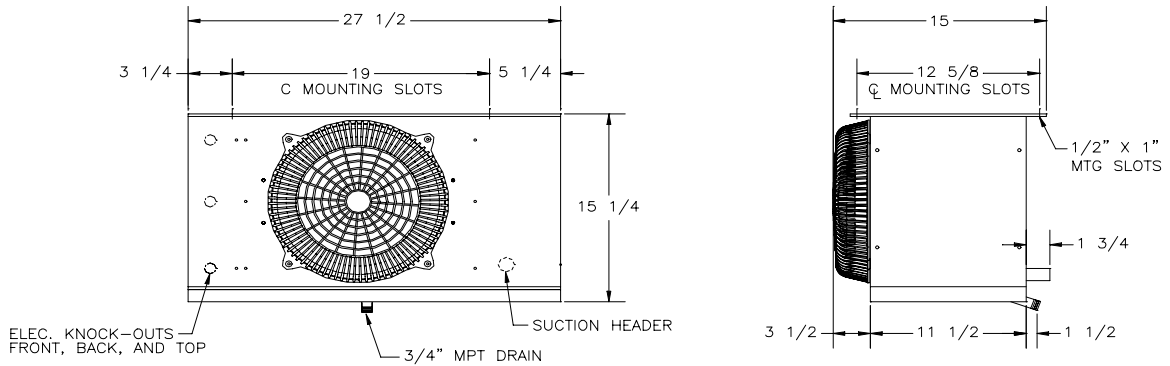


**E1HZ0040A**



General				
Refrigerant	Voltage	Evaporator Model		
R-404A	115/60/1	SA18-41BA		
Capacity (Btuh)				
-20	-10	0	30	40
0	0	0	0	4100
Dimensional Data				
Overall				
L	W	H		
28	15	16		
Installation				
Ship Weight	Connections		Refrigerant	
	Liquid	Suction		
43	1/2	5/8	R-404A	
Electrical				
No. of Fans	Fan Amps	Defrost Amps		
1	0.9	0.0		
Expansion Valve				
TXV Part No.	Sporlan Part No.	Inlet	Outlet	Orifice
09-09481	EBFSE-AA-C	3/8	1/2	N/A



Due to continuous product development, specifications and other information listed here are subject to change without notice

