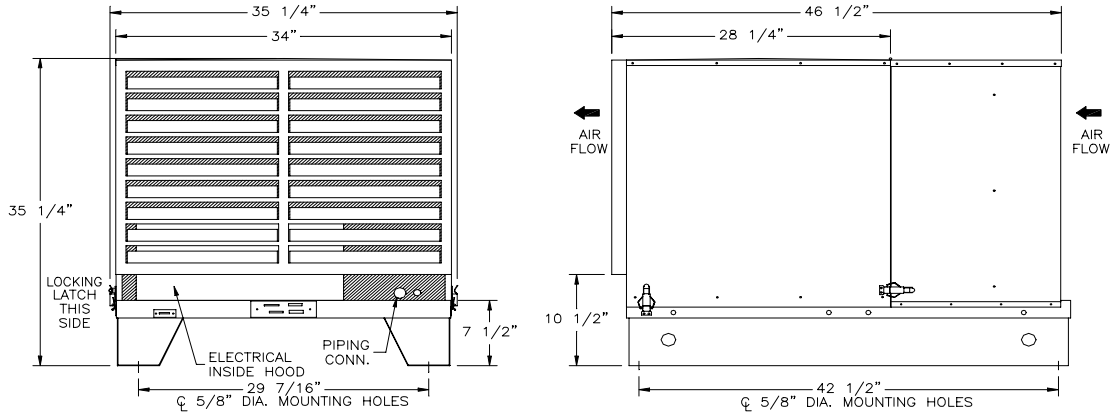


BCMZ0300C



General							
Refrigerant	Voltage	Compressor Type	Compressor Model	HP	Listings		
R-404A	208-230/60/3	SEMI-HERM	ERFA-031E-TAC	3HP	UL/CUL		
Capacity (Btuh)							
At Room Temp. With a 10° TD, 90° Ambient							
-20	-10	0	30	35	40		
			24892				
Dimensional Data							
Overall			Base Size	Base/Hood			
L	W	H					
47	36	36	C	940/940			
Installation							
Wt. Lbs.	Receiver Tank 90%/90°F	Connections Liquid	Suction	Refrigerant			
505	41.5	5/8	1.125	R-404A			
Electrical							
MCA	MOP	comp volts	comp phase	comp hz	comp RLA	comp LRA	other volts
45	45	208/230	3	60	12.4	82	208/230
fan phase	fan hz	fan FLA	fan HP	fan quantity	other load phase	other load amps	Approximate Sound Level (Db)
1	60	2.9	1/3	1	1	0.5	68
max evap fan amps	max evap def heater amps						
7	35						



CONDENSING UNITS & REFRIGERATION SYSTEMS

