

# MB MASTER-BILT® FUSION™ SERIES

ITEM NO. \_\_\_\_\_  
PROJECT \_\_\_\_\_  
LOCATION \_\_\_\_\_  
DATE \_\_\_\_\_ QTY. \_\_\_\_\_



MBDD59

MBDD24



## MBDD SERIES Direct Draw Beer Coolers

### MODELS

- MBDD24
- MBDD59
- MBDD69
- MBDD79
- MBDD95

### FEATURES

#### CONSTRUCTION

- Stainless steel top
- Black vinyl coated steel finish on front, door, sides and back
- Galvanized steel interior with stainless steel floors
- Foamed-in-place with low ODP polyurethane insulation
- Wall thickness: 1 1/2"
- Interior fluorescent light (except for MBDD24)
- Standard analog thermostat
- 3" diameter polished stainless steel draft towers cooled by continuous cold air circulation through channel air distribution system
- MBDD59 and MBDD69 standard with (1) 2-way gas valve, MBDD79 has (1) 3-way valve and MBDD95 has (1) 4-way valve
- Heavy-duty stainless steel threshold guard
- Standard casters on MBDD24
- Standard glass rail on MBDD24

#### DOORS

- Standard door locks on each door
- Magnetic door gaskets, removable without tools
- Door openings have plastic breaker strips to reduce condensation

#### REFRIGERATION

- Self-contained refrigeration system metered by capillary tube
- Front breathing compressor on left side
- MBDD24 model is rear breathing with internal drain, internal CO2 chain harness. Other models have knockout plate for external CO2 placement.
- Evaporator coils are mounted to left side and are epoxy-coated to resist corrosion
- Evaporator coils feature large fan motor and blades for greater air flow
- Condensate evaporator
- Access to slide-out condensing unit behind front grille for easy cleaning and service

- Rear drain connection for drip pan located in rear of compressor housing
- Refrigerant: R-134a
- Temperature range: 33° to 38°F (.5° to 3°C)

#### WARRANTY

- Standard limited four year extended compressor and one year limited parts and labor

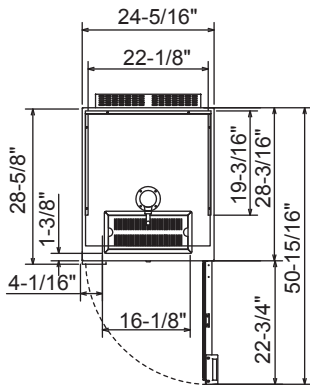
### OPTIONS

- Floor protector
- 3" casters
- Single tap draft tower
- Double tap draft tower

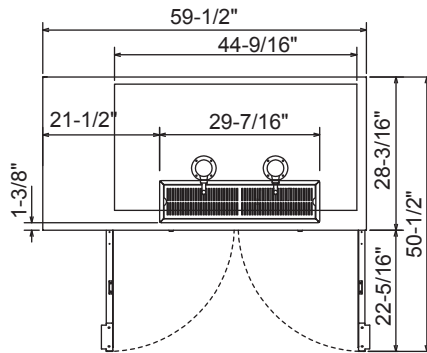
## TECHNICAL SPECIFICATIONS

MODEL	DIMENSIONS (in.)			DIMENSIONS (mm)			VOLTS	AMPS	UNIT H.P.	NO. OF DOORS	NO. OF TOWERS	NO. OF TAPS	NO. OF KEGS**	SHIP CU. FT.	SHIP WT. (LB/KG)
	L	D	H*	L	D	H*									
MBDD24	24 <sup>5</sup> / <sub>16</sub>	31 <sup>1</sup> / <sub>8</sub>	54 <sup>1</sup> / <sub>8</sub>	618	791	1375	115	2.5	1/6	1	1 single	1	1	21.0	181/82
MBDD59	59 <sup>1</sup> / <sub>2</sub>	28 <sup>3</sup> / <sub>16</sub>	50 <sup>7</sup> / <sub>8</sub>	1283	716	1384	115	6.6	1/3	2	2 single	2	3	51.0	310/141
MBDD69	69 <sup>1</sup> / <sub>2</sub>	28 <sup>3</sup> / <sub>16</sub>	50 <sup>7</sup> / <sub>8</sub>	1765	716	1384	115	6.6	1/3	2	2 single	2	3	59.0	356/162
MBDD79	80	28 <sup>3</sup> / <sub>16</sub>	50 <sup>7</sup> / <sub>8</sub>	2032	716	1384	115	6.6	1/3	3	1 single, 1 double	3	4	68.0	375/170
MBDD95	95 <sup>1</sup> / <sub>2</sub>	28 <sup>3</sup> / <sub>16</sub>	50 <sup>7</sup> / <sub>8</sub>	2426	716	1384	115	7.2	1/3	3	2 double	4	5	81.0	418/190

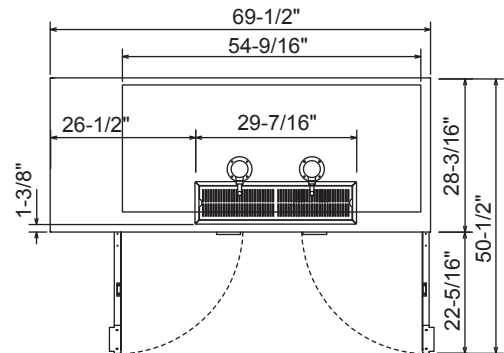
\*Height includes draft towers \*\*Keg capacity: 16 gallon.



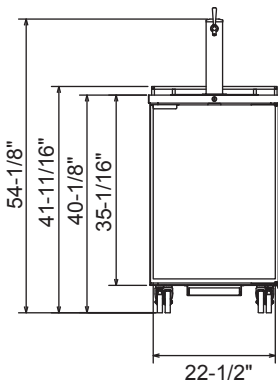
MBDD24 PLAN VIEW



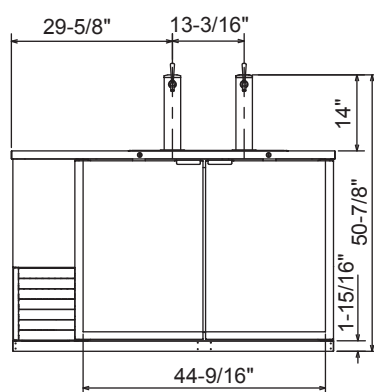
MBDD59 PLAN VIEW



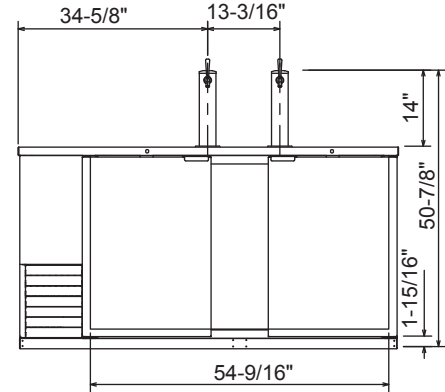
MBDD69 PLAN VIEW



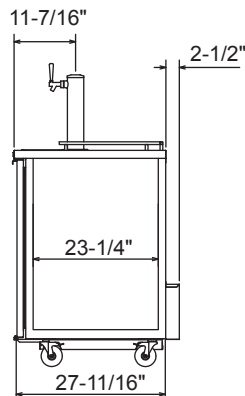
MBDD24 ELEVATION VIEW



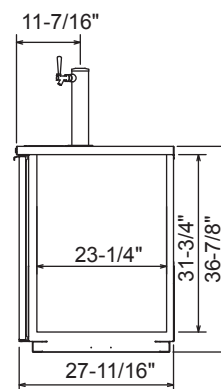
MBDD59 ELEVATION VIEW



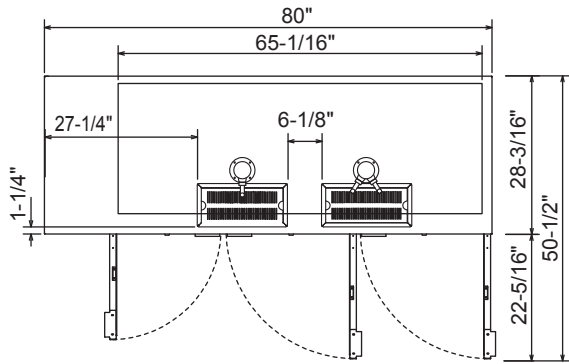
MBDD69 ELEVATION VIEW



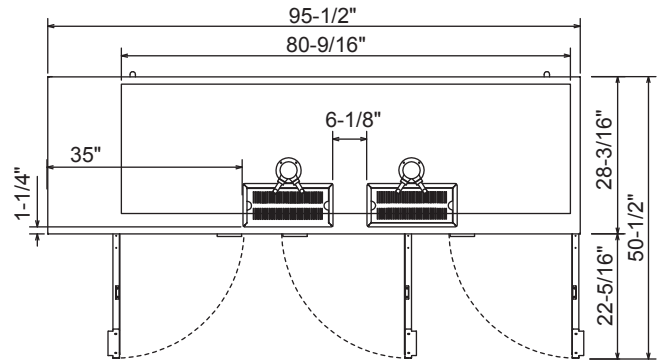
MBDD24 SIDE VIEW



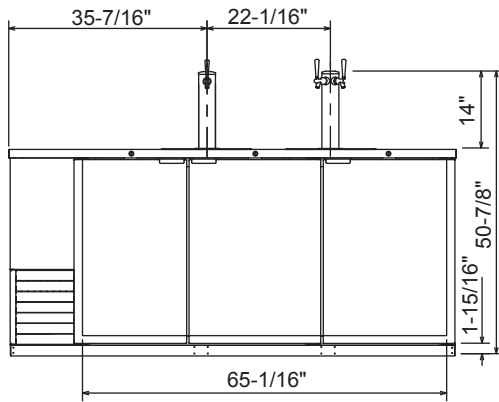
MBDD59 & MBDD69 SIDE VIEW



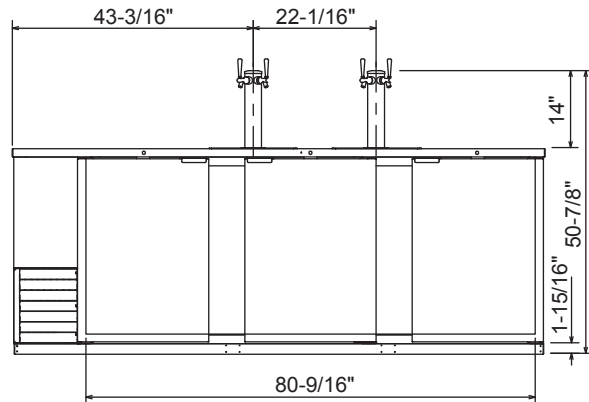
MBDD79 PLAN VIEW



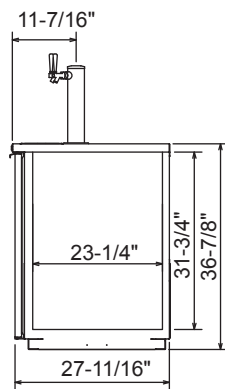
MBDD95 PLAN VIEW



MBDD79 ELEVATION VIEW



MBDD95 ELEVATION VIEW



MBDD79 & MBDD95 SIDE VIEW

**LISTINGS**



**HOOKUP**

All models via plug in, 8 foot long flexible three wire 16 gauge cord with molded plug.



NEMA 5-15P

### BID SPECIFICATIONS

Item no. MBDD\_\_\_\_\_.

Provide \_\_\_\_\_ Direct Draw Beer Coolers, Master-Bilt model no. MBDD\_\_\_\_\_.

Beer coolers will feature stainless steel top and black vinyl coated steel finish on front, door, sides and back. Interior will be galvanized steel with stainless steel floors. Doors will have standard locks. Door openings will have plastic breaker strips to reduce condensation. A heavy-duty stainless steel threshold guard will also be standard.

Standard three-inch diameter

polished stainless steel draft towers will be cooled by continuous cold air circulation through the channel air distribution system.

MBDD59 and MBDD69 models will be standard with (1) 2-way gas valve, the MBDD79 model will have (1) 3-way valve and the MBDD95 model will have (1) 4-way valve.

The refrigeration system will be self-contained and use R-134a refrigerant. The temperature range will be 33° to 38°F (.5° to 3°C). System will be equipped with coated evaporator coils and a

condensate evaporator. Condensing unit will be slide-out type for easy cleaning and service.

MBDD24 model will be rear breathing with internal drain and internal CO<sup>2</sup> chain harness. Other models will have knockout plate for external CO<sup>2</sup> placement.

Beer cooler to have standard limited 4 year extended compressor warranty and one year limited parts and labor warranty.

Beer cooler to be ETL listed in the U.S. and Canada and ETL Sanitation listed.

**NOTE: Cabinet designed for optimum performance in air-conditioned area at 75°F ambient and 55% relative humidity. All specifications subject to change without notice.**