

Quick Ship

Walk-In Coolers & Freezers
 With Matching Refrigeration
 Systems



FREE FREIGHT to domestic U.S. locations and select locations in Canada (consult your Master-Bilt® sales representative)

FEATURES

CONSTRUCTION

- Models ship within five working days after order is received
- 4" thick panels
- Coolers, freezers and combo units available
- Indoor and outdoor models available
- Single compartment walk-ins range in size from 3'11" x 5'10" up to 9'8" x 32'8" and in heights of 7'2", 7'6", 8'2" and 8'6" (3'11" x 5'10" size not available in 8'2" or 8'6"). They are available with or without a floor.
- Combo units range in size from 5'10" x 11'7" to 9'8" x 19'3" and in heights of 7'6" and 8'6"
- Combo units available in with-floor freezer/less-floor cooler and with-floor freezer/with-floor cooler
- 36" x 78" V-series door
- Interior and exterior wall and

roof finish is 26 gauge acrylic coated stucco galvanized steel
 •.080 textured aluminum interior floor finish, where required

REFRIGERATION

- Refrigeration is available in either pre-assembled remote M-Series systems or PRS-2 packaged systems with standard-duty and heavy-duty options. Walk-ins measuring 3'11" x 5'10" feature a PRS-2 system only.
- Outdoor models include a weather hood, membrane covering for the walk-in roof and rain canopy for the entry door
- Most indoor models with PRS-2 systems come with a power cord so the unit can be plugged in and no piping or components to field install

WARRANTY

- One-year limited parts and labor, four-year extended compressor, 15 year panel

OPTIONS

- Door & frame kickplates (shipped loose)
- 4 foot fluorescent light fixtures – shipped loose (less fluorescent bulbs)
- 4 foot LED light fixtures (shipped loose)
- Vinyl strip curtains for entry doors (shipped loose)
- Exterior door ramps



QUICK SHIP

WALK-IN COOLERS & FREEZERS WITH MATCHING REFRIGERATION SYSTEMS

SPECIFICATIONS

1. Quick Ship Walk-in Coolers or Freezers

A. General

Walk-ins under this program will be constructed of prefab, precision formed, modular panels designed for accurate, rapid field assembly and in compliance with the general construction as described in the *Master-Bilt® Architectural Specifications and General Design Information* binder.

Per DOE requirements, panels and doors are designed and certified for use in walk-in cooler and freezer applications.

Walk-ins and refrigeration systems under this program will be available for shipment within five (5) working days of received order.

B. Insulation

Insulation will be 4" thick rigid urethane, pour-type, foamed-in-place. R-values for 4" thick panels are:

- Cooler walls, ceilings and doors: R-25
- Freezer walls, ceilings and doors: R-32
- Freezer floors: R-28

C. Heights

Walk-in coolers, freezers or combinations will be available in 7'6" and 8'6" heights for with-floor applications as well as with-floor/less-floor combinations. Less-floor applications will be available in 7'2" and 8'2" heights. Freezers are available in with-floor models only.

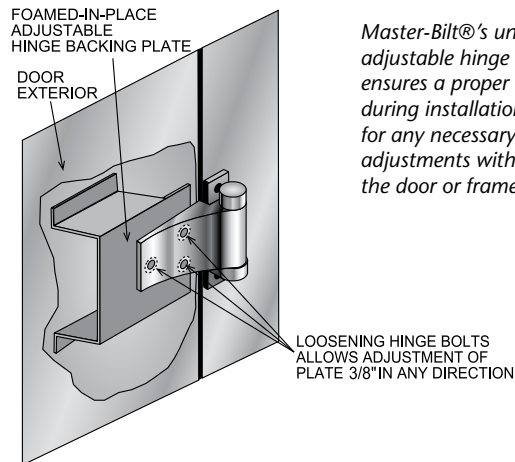
D. Metal Finishes

Interior and exterior wall and roof finish of walk-in coolers and freezers under this program is 26 gauge acrylic coated stucco galvanized steel. Floor interior finish will be .080 textured aluminum. Floor panels will be designed to support an evenly distributed load of 700 lbs. per square foot loading (stationary load).

E. Ratings and Listings

Walk-ins under this program have been independently tested:

- Structural Strength
- A.S.T.M. E-84-94, D-1929-91a, D-482-91, D1622-93
- U.L. and C-U.L. listed doors
- N.S.F. Listed
- N.Y.C. Approval #59-85
- State of Oregon (consult factory)
- City of Houston Approval
- State of Wisconsin Approval
- State of California Bureau of Home Furnishings and Thermal Insulation Manufacturer Approval
- Type I Fabricator's License Approval
- State of Florida Approval
- Toxicity Evaluated



Master-Bilt®'s unique fully adjustable hinge backing plate ensures a proper fit of the door during installation and also allows for any necessary future adjustments without removal of the door or frame.

- Fully compliant with all Federal EISA requirements effective January 1, 2009

Reports available from factory on request.

F. Entrance Door

Stock walk-ins will be complete with one (1) each infitting (flush-mount) self-closing entrance door. Standard V-Series doors are 36" x 78" with the following energy consumption (kWh/day):

- Coolers: 2.77
- Freezers: 7.79

Entrance door to include:

- Two (2) spring loaded cam-lift hinges
- Hydraulic door closure
- Deadbolt-locking handle
- Pre-wired compact fluorescent vapor-proof light fixture
- Inside safety release
- Mounted dial thermometer
- Magnetic gaskets along the top and both sides
- An adjustable double vinyl wiper gasket along bottom
- Drip guard over door in outdoor models

In addition, the door will contain adjustable hinge backing plates for each hinge. These plates will provide for in-field adjustment of door hinges without removal of the hinges or door from its frame.

On all walk-in freezers, the infitting door jamb will be provided with a thermostatically-controlled warmer cable around the entire perimeter of the opening.

The door will be available either left hinged or right hinged (specify when ordering).

These doors will be mounted in a 46" wide door frame and will be interchangeable with any 46" wide wall panel, thereby allowing placement to fit almost any job-site requirement.

NOTE: Freezer door frame must include one (1) each heated pressure relief port, factory mounted.

Master-Bilt®'s standard floor finish is an **NSF listed** .080 inch aluminum which is **textured** for added safety. Floors are also covered to meet sanitation guidelines.



2. Remote Refrigeration Systems

A. General

Remote refrigeration systems available for this program are limited to the Master-Bilt® M-Series condensing units and evaporator coils on pp. 4-5 only. Condensing units are factory pre-wired and pre-assembled.

Dedicated medium temp outdoor condensing units meet the DOE requirement of a minimum AWEF rating of 7.61 (Btu/W-h).

All units are provided with matching evaporator coils. Remote 2 H.P. through 6 H.P. units are available with either one (1) or two (2) matching evaporator coils.

B. Voltage

Remote 1/2 and 3/4 H.P. units are available in 230 volt, 60 cycle, one phase only. Units ranging from 1 to 4 H.P. are available in 230 volt, 60 cycle, one phase or 208/220 volt, 60 cycle, three phase. Five and six H.P. units are available in 208/220 volt, 60 cycle, three phase only.

C. Weather Package Kits

Remote condensing units under this program will be provided with weather kits containing a weather hood with unit base and a low ambient kit.

3. Packaged Refrigeration Systems

PRS-2 series refrigeration systems consist of a condensing unit and evaporator coil fully assembled inside a mill finish aluminum housing. Each system will be provided wired, piped, evacuated, optimally charged and run tested. All models will be ready to mount on top of a Master-Bilt® walk-in cooler or freezer. PRS-2 systems may be specified for compartments 13'6" long and under.

Some indoor models will be provided with power cord for direct plug in to receptacle. Additionally, systems will contain a factory mounted diffuser with trim pieces provided loose for finishing box opening on inside. The evaporator grille is designed to mount flush or recessed within a 4" thick ceiling panel.

Systems for medium temperature applications are air de-

frost. Low temperature models will feature electric defrost.

All units will contain R-404A refrigerant and will be designed to operate in ambient temperatures up to 100°F. Systems for outdoor walk-ins will also contain a crankcase heater, drainline heater, head master and a weather hood.

Standard warranty includes 18 months limited parts and labor and extended four year compressor warranty.

A complete list of agency listings and approvals is available from our factory.

4. Warranty

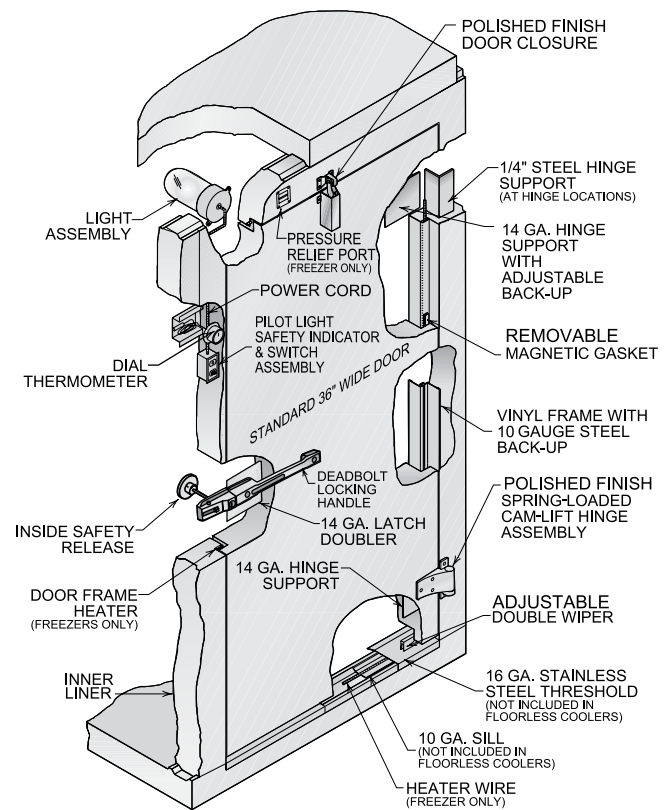
Parts and labor on the walk-ins are covered for one year with an extended four year coverage on refrigeration system compressor. Panels are covered for 15 years.

5. Exclusion

Any deviation from these specifications and listed walk-in sizes does not qualify for this program, and is subject to Master-Bilt® standard lead time.

Please consult factory for lead times on other walk-in sizes or specifications.

Master-Bilt reserves the right to discontinue this program without notice. All specifications are subject to change without notice.



The standard V-Series entry door is 36"W x 78"H.



QUICK SHIP

WALK-IN COOLERS & FREEZERS WITH MATCHING REFRIGERATION SYSTEMS

REMOTE REFRIGERATION SYSTEM SPECIFICATIONS

Medium Temp R-448A/R-449A Condensing Units

(Dedicated medium temp outdoor condensing units meet the DOE requirement of a minimum AWEF rating of 7.61 Btu/W-h).

COND. UNIT MODEL*	H.P.	COMPRESSOR MODEL	BTUH @ 25°F SUCTION TEMP. 90°F AMBIENT	UNIT CONNECTION SIZES		BASE SIZE†	RECEIVER PUMP DOWN CAP. @ 90%	SHIP WT. (LB/KG)	MCA††	MOP††	RLA††	LRA††
				LIQUID	SUCTION							
HERMETIC												
MHMD005AB	0.5	RST45C1E-CAV	5,701	3/8	5/8	M1	8.1	180/82	18.8	20	4.6	26.5
MHMD007AB	0.75	RST55C1E-CAV	6,958	3/8	5/8	M1	8.1	180/82	18.8	20	6.1	33.7
MHMD010AB	1	RST70C1E-PFV	8,658	3/8	7/8	M1	8.1	180/82	18.8	20	6.9	46
MHMD010AC	1	RST70C1E-TA5	8,975	3/8	7/8	M1	8.1	180/82	18.8	20	4.9	36
SCROLL												
MSMD015AB	1.5	ZS11KAE-PFV	12,768	1/2	7/8	M2	12	240/109	25	30	11.3	55
MSMD015AC	1.5	ZS11KAE-TF5	12,884	1/2	7/8	M2	12	240/109	19.1	20	9.3	58
MSMD017AB	1.75	ZS13KAE-PFV	14,330	1/2	7/8	M2	12	240/109	25	30	10.8	56
MSMD017AC	1.75	ZS13KAE-TF5	14,469	1/2	7/8	M2	12	240/109	18.8	20	8.7	58
MSMD020AB	2	ZS15KAE-PFV	16,884	1/2	7/8	M2	12	240/109	31.3	35	14.1	68
MSMD020AC	2	ZS15KAE-TF5	17,060	1/2	7/8	M2	12	240/109	25	30	9.6	58
MSMD025AB	2.5	ZS19KAE-PFV	19,376	1/2	7/8	M2	12	240/109	31.8	35	16.2	75
MSMD025AC	2.5	ZS19KAE-TF5	19,353	1/2	7/8	M2	12	240/109	31.3	35	12.3	73

Low Temp R-448A/R-449A Scroll Condensing Units

COND. UNIT MODEL*	H.P.	COMPRESSOR MODEL	BTUH @ -20°F SUCTION TEMP. 90°F AMBIENT	UNIT CONNECTION SIZES		BASE SIZE†	RECEIVER PUMP DOWN CAP. @ 90%	SHIP WT. (LB/KG)	MCA††	MOP††	RLA††	LRA††
				LIQUID	SUCTION							
MSLD010AB	1	ZF03KAE-PFV	2,949	3/8	7/8	M1	8.1	180/82	12.5	15	6.1	42.3
MSLD010AC	1	ZF03KAE-TF5	2,921	3/8	7/8	M1	8.1	180/82	9.1	15	4.1	31.7
MSLD020AB	2	ZF06K4E-PFV	7,164	3/8	7/8	M2	12	240/109	25	30	13.6	61
MSLD020AC	2	ZF06K4E-TF5	6,793	3/8	7/8	M2	12	240/109	18.8	20	8.3	55
MSLD025AB	2.5	ZF08K4E-PFV	8,946	3/8	7/8	M3	17.7	250/114	32.6	35	16.4	73
MSLD025AC	2.5	ZF08K4E-TF5	8,699	3/8	7/8	M3	17.7	250/114	25	30	8.7	63
MSLD035AB	3.5	ZF11K4E-PFV	11,759	3/8	7/8	M3	17.7	250/114	38	45	20.7	109
MSLD035AC	3.5	ZF11K4E-TF5	11,958	3/8	7/8	M3	17.7	250/114	31.3	35	10.9	88
MSLD050AC	5	ZF15K4E-TF5	17,523	1/2	7/8	M5	17.7	250/114	38	40	17	123
MSLD060AC	6	ZF18K4E-TF5	20,844	1/2	7/8	M5	23.2	250/114	40.2	45	19.6	156

NOTES:

- 448A/449A compressors are shipped with P.O.E. oil.
- All "M" units include low ambient kit (crankcase heater, head pressure control valve) as standard feature.

***VOLTAGE KEY:**

"B" suffix = 208-230 or 230 volt, 60 cycle, one phase

"C" suffix = 200-230 or 208-230 volt, 60 cycle, three phase

†See p. 6 for unit base drawings.

††Electrical ratings for condensing unit only. See National Electrical Code if units are combined on a single circuit.

REMOTE SYSTEM EVAPORATOR COIL SPECIFICATIONS

Medium Temp

EVAPORATOR MODEL	UNIT PART NO.	BTUH @ 25°F SUCTION TEMP.	NO. FANS	DIMENSIONS			SHIP WT. (LB/KG)	FAN AMPS
				L	W	H		
E1MD0060A-TA	WL6A052SEAS	6,000	1	27	16	17	44/20	.8
E1MD0078A-TA	WL6A066SEAS	7,800	1	27	16	17	47/21	0.8
E1MD0085A-TA	WL6A073SEAS	8,500	2	44	16	17	52/24	1.6
E1MD0109A-TA	WL6A094SEAS	10,900	2	44	16	17	55/25	1.6
E1MD0136A-TA	WL6A117SEAS	13,600	2	44	16	17	58/26	1.6
E1MD0163A-TA	WL6A141SEAS	16,300	3	60	16	17	72/33	2.4

Low Temp

EVAPORATOR MODEL	UNIT PART NO.	BTUH @ 25°F SUCTION TEMP.	NO. FANS	DIMENSIONS			SHIP WT. (LB/KG)	FAN AMPS	DEFROST AMPS
				L	W	H			
E1LD0049B-TE	WL6E042DEAS	4,900	1	27	16	17	44/20	0.5	4.9
E1LD0076B-TE	WL6E066DEAS	7,600	2	44	16	17	52/24	1	9.8
E1LD0088B-TE	WL6E077DEAS	8,800	2	44	16	17	55/25	1	9.8
E1LD0106B-TE	WL6E090DEAS	10,600	2	44	16	17	58/26	1	9.8
E1LD0124B-TE	WL6E105DEAS	12,400	2	44	16	17	62/28	1	9.8

NOTES:

- Medium temp evaporator coils based on 12° T.D. Low temp coils based on 10° T.D.
- VOLTAGE KEY:
 "A" suffix = 115 volt, 60 cycle, one phase
 "B" suffix = 208-230 volt, 60 cycle, one phase

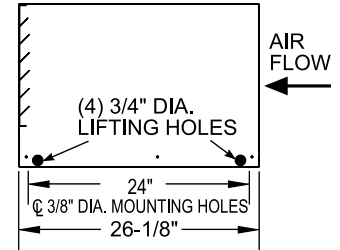
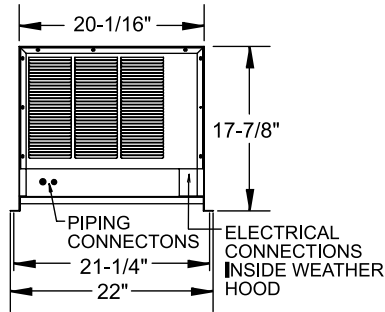


QUICK SHIP

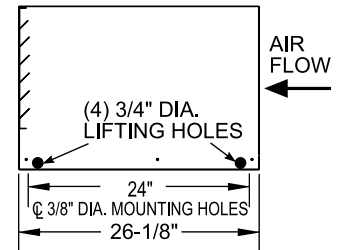
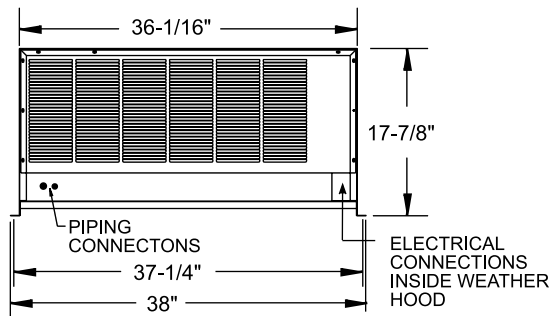
WALK-IN COOLERS & FREEZERS WITH MATCHING REFRIGERATION SYSTEMS

REMOTE CONDENSING UNIT BASE SPECIFICATIONS

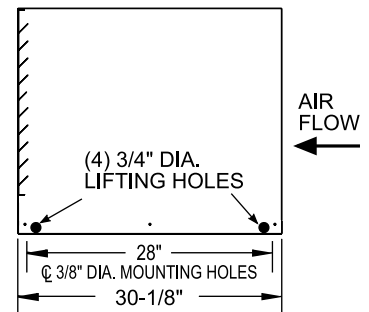
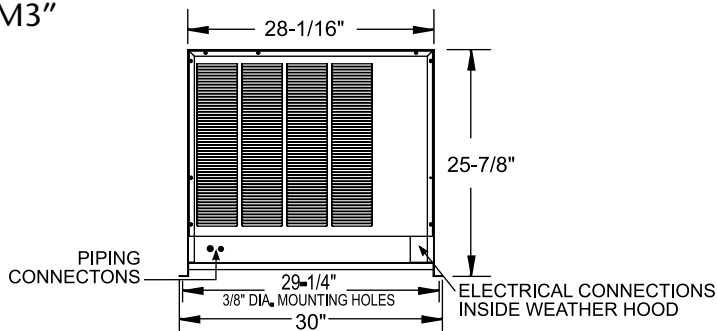
Base "M1"



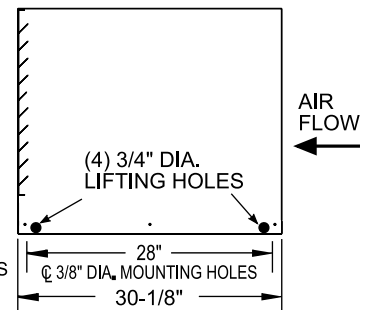
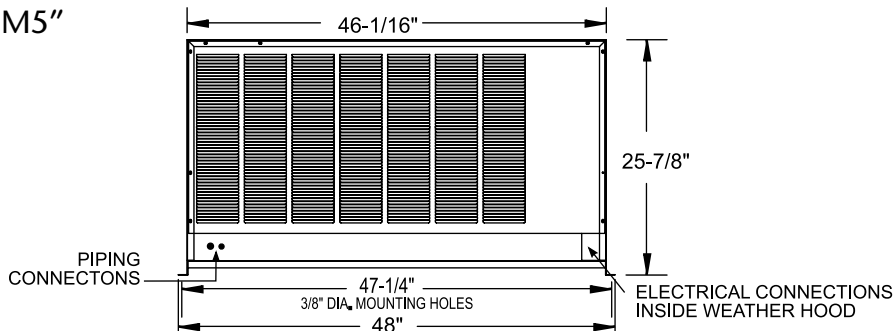
Base "M2"



Base "M3"



Base "M5"



PACKAGED REFRIGERATION SYSTEM SPECIFICATIONS

PRS-2 systems may be specified for compartments 13'6" long and under.
 (Dedicated medium temp outdoor condensing units meet the DOE requirement of a minimum AWEF rating of 7.61 Btu/W-h).

PRS-2 MODEL*	BTUH @ 90°F -10°F BOX TEMP	BTUH @ 90°F 35°F BOX TEMP	REFG. TYPE	DIMENSIONS SEE FIGURE... (P. 8)	ELECTRICAL DATA							SHIP WT. LB/KG
					HP	DEFROST AMPS	COMPRESSOR RLA AMPS	MCA	MOP	VOLTAGE	NEMA PLUG	
CEILING MOUNT COOLER SYSTEMS												
PHHZ0050A	N/A	3279	R-404A	NS	1/2	N/A	10.1	14.2	20	115/60/1	5-20P	230/105
PHHZ0050AT	N/A	3279	R-404A	NS	1/2	N/A	10.1	14.2	20	115/60/1	N/A	275/125
PHHZ0070B	N/A	4964	R-404A	NM	3/4	N/A	7.7	10.8	15	208-230/60/1	6-20P	320/145
PHHZ0070BT	N/A	4964	R-404A	NM	3/4	N/A	7.7	10.8	15	208-230/60/1	N/A	360/164
PHHZ0100B	N/A	7382	R-404A	NL	1	N/A	11.0	16.7	20	208-230/60/1	6-20P	410/186
PHHZ0100BT	N/A	7382	R-404A	NL	1	N/A	11.0	16.7	20	208-230/60/1	N/A	480/218
CEILING MOUNT FREEZER SYSTEMS												
PHXZ0101B	2596	N/A	R-404A	NM	1	N/A	5.8	13.4	20	208-230/60/1	6-15P	265/120
PHXZ0100BT	2596	N/A	R-404A	NM	1	6.7	9.6	13.4	20	208-230/60/1	N/A	410/186
PHXZ0125B	3515	N/A	R-404A	NL	1 ¹ / ₄	N/A	8.4	11.7	15	208-230/60/1	6-15P	465/211
PHXZ0125BT	3515	N/A	R-404A	NL	1 ¹ / ₄	8.8	8.4	11.7	15	208-230/60/1	N/A	510/232
PHXZ0150B	4702	N/A	R-404A	NL	1 ¹ / ₂	12.2	11.4	17.2	25	208-230/60/1	N/A	525/239
PHXZ0150BT	4702	N/A	R-404A	NL	1 ¹ / ₂	10.9	11.4	17.2	25	208-230/60/1	N/A	565/257
PHXZ0200B	6223	N/A	R-404A	NL	2	10.2	11.4	16.6	25	208-230/60/1	N/A	525/239
PHXZ0200BT	6223	N/A	R-404A	NL	2	8.5	11.4	16.6	25	208-230/60/1	N/A	565/257
PHXZ0201B	7916	N/A	R-404A	NL	2	11.4	11.2	18	20	208-230/60/1	N/A	611/278
PHXZ0201BT	7916	N/A	R-404A	NL	2	10.3	11.0	17	20	208-230/60/1	N/A	691/314

*Outdoor models denoted with a "T" suffix.

PRS-2 refrigeration is sized for holding duty only. If the ambient is higher than 100°F or pull down capacity is required, a regular (non-quick ship) quote will be needed.



QUICK SHIP

WALK-IN COOLERS & FREEZERS WITH MATCHING REFRIGERATION SYSTEMS

PACKAGED REFRIGERATION SYSTEM BASE SPECIFICATIONS

Figure NS

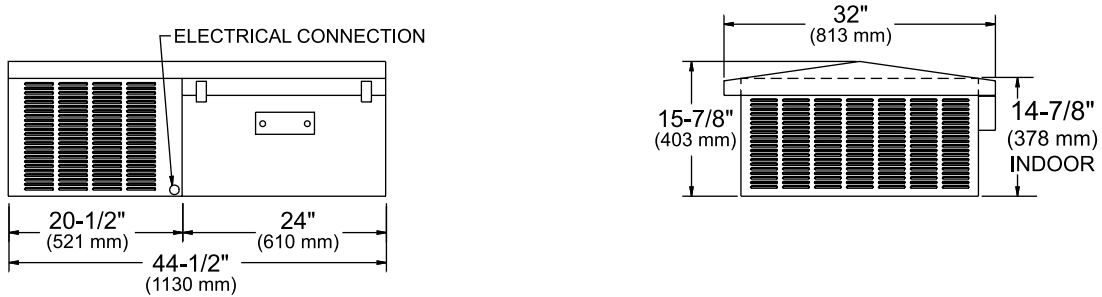
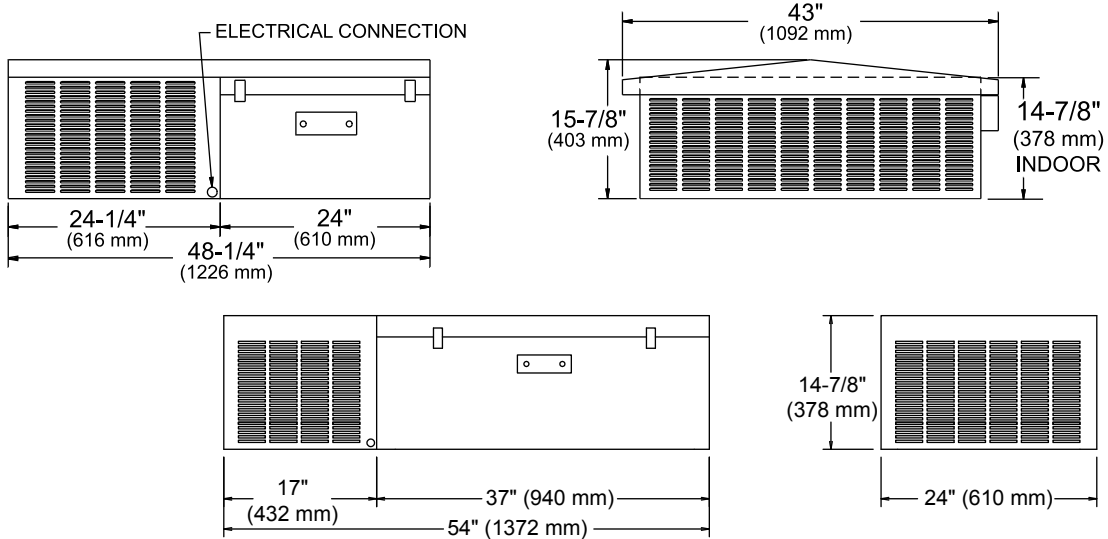
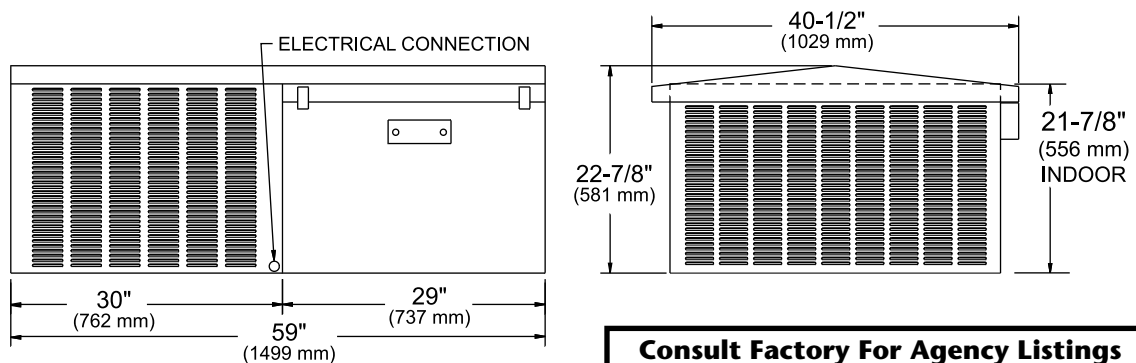


Figure NM



PHXZ0101B MODEL (INDOOR ONLY)

Figure NL



Consult Factory For Agency Listings



908 Highway 15 North • New Albany, MS 38652

PHONE: 800-647-1284 or 662-534-9061 • FAX: 800-232-3966 or 662-534-6049 • www.master-bilt.com

