



BMG-48-HGP

## BMG-HGP SERIES

### Bottom Mounted Full-Height Swing Glass Door Refrigerator Merchandisers

#### MODELS

- BMG-23-HGP
- BMG-27-HGP
- BMG-48-HGP
- BMG-74-HGP

## FEATURES

#### CONSTRUCTION

- Standard interior double row LED lighting
- Electronic digital thermostat
- 24 gauge painted textured galvanized steel interior and exterior
- Standard finishes:  
White interior/white exterior or black exterior/black interior
- Stainless steel floor
- 1<sup>3</sup>/<sub>4</sub>" thick state-of-the-art, foamed-in-place "zero ODP" polyurethane insulation provides high R-value
- Adjustable legs for leveling
- Four adjustable heavy-duty epoxy-coated cantilever shelves with price tag molding per door
- Merchandiser profile matches other BLG/BMG Plus refrigerator and freezer models

#### DOORS

- Full-height doors
- Auto-close, triple pane, safety glass doors
- 90° hold-open feature
- Contemporary style door frame and handles

- Heavy-duty universal workflow handles
- Easily replaceable snap-in magnetic vinyl door gaskets
- Standard door swing configuration:
  - 1-door ..... hinged left
  - 2-door ..... left door hinged left, right door hinged right
  - 3-door ..... left door hinged left, middle door hinged right, right door hinged right
- Maximum visibility with these door sizes:
  - BMG-23-HGP ..... 26" x 63<sup>1</sup>/<sub>2</sub>"
  - BMG-27-HGP ..... 29" x 63<sup>1</sup>/<sub>2</sub>"
  - BMG-48-HGP & BMG-74-HGP ..... 25" x 63<sup>1</sup>/<sub>2</sub>"

#### REFRIGERATION

- Self-contained bottom mount refrigeration system designed for optimum energy efficiency and low noise
- Top mounted, low profile interior evaporator housing
- Energy-free condensate removal
- Refrigerant: R-134a

- Temperature range: 34° to 41°F (1° to 5°C)

#### WARRANTY

- **Standard limited three year parts and labor**
- **Additional two year coverage on compressor part**

## OPTIONS

- Stainless steel interior and/or exterior
- Custom exterior colors
- Additional shelving
- Flat bottom shelf with legs
- Bottom baskets
- Casters
- Leg kits
- Door locks
- Proximity switches



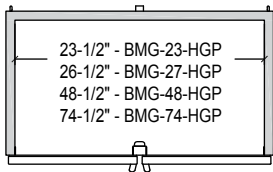
# BMG-HGP SERIES

## BOTTOM MOUNTED FULL-HEIGHT SWING GLASS DOOR REFRIGERATOR MERCHANDISERS

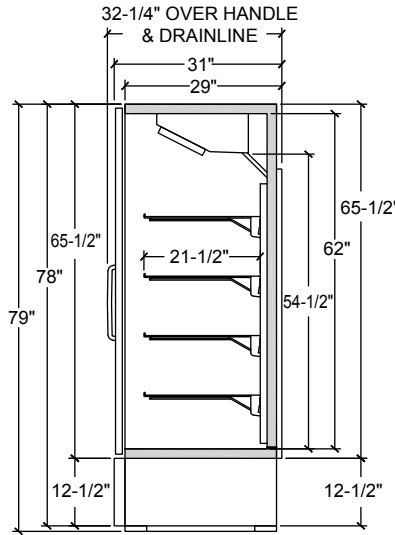
### TECHNICAL SPECIFICATIONS

MODEL	DIMENSIONS (in.)			DIMENSIONS (mm)			VOLTS	AMPS	UNIT H.P.	NO. OF DOORS	NO. OF SHELVES	SHELF SIZE (in.)	WEIGHT CAP. PER SHELF (LB/KG)	CAP. CU. FT.	SHIP WT. (LB/KG)
	L	D*	H	L	D*	H									
BMG-23-HGP	27	32 <sup>1</sup> / <sub>4</sub>	79	686	819	2007	115	4.5	1/5	1	4	22 <sup>1</sup> / <sub>2</sub> L x 21 <sup>1</sup> / <sub>2</sub> D	92/42	22.1	330/150
BMG-27-HGP	30	32 <sup>1</sup> / <sub>4</sub>	79	762	819	2007	115	4.5	1/5	1	4	25 <sup>1</sup> / <sub>2</sub> L x 21 <sup>1</sup> / <sub>2</sub> D	105/48	25.0	345/157
BMG-48-HGP	52	32 <sup>1</sup> / <sub>4</sub>	79	1321	819	2007	115	6.9	1/3	2	8	23 <sup>1</sup> / <sub>2</sub> L x 21 <sup>1</sup> / <sub>2</sub> D	92/42	45.7	530/241
BMG-74-HGP	78	32 <sup>1</sup> / <sub>4</sub>	79	1981	819	2007	115	7.7	1/2	3	12	23 <sup>1</sup> / <sub>2</sub> L x 21 <sup>1</sup> / <sub>2</sub> D (ends), 25 <sup>1</sup> / <sub>2</sub> L x 21 <sup>1</sup> / <sub>2</sub> D (center)	92/42 (ends), 105/48 (center)	70.2	715/325

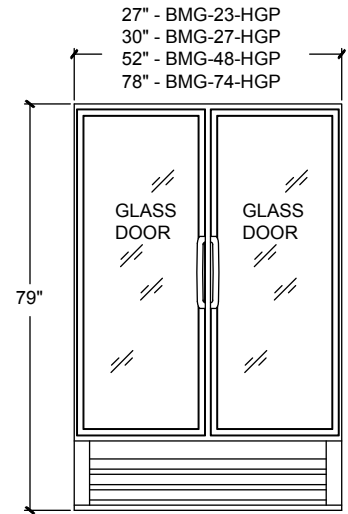
\*Includes door handle and rear drainline cover.



PLAN VIEW



SIDE VIEW



ELEVATION VIEW

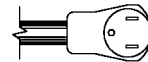
### LISTINGS



- Listed under NSF-7 for the storage and/or display of packaged food
- Meets Canadian energy efficiency regulations

### HOOKUP

All models via plug in, 10 foot long, flexible three wire 14/3 cord with molded plug.



NEMA 5-15P

### BID SPECIFICATIONS

Item no. BMG-\_\_\_\_-HGP. Provide \_\_\_\_\_ Bottom Mounted Full-Height Swing Glass Door Refrigerator Merchandiser(s), Master-Bilt® model no. BMG-\_\_\_\_-HGP.

Merchandiser will be constructed of 24 gauge painted textured galvanized steel interior and exterior. Standard equipment will include interior LED lighting and four epoxy-coated cantilever shelves with price

tag molding per door.

Full-height, auto-close doors will be equipped with triple pane, heated safety glass and heated frames.

Refrigeration system will be self-contained and designed for optimum energy efficiency and low noise. An energy-free condensate removal system will also be standard.

The refrigerant will be R-134a. Tempera-

ture range will be 34° to 41°F (1° to 5°C).

Merchandiser to have standard limited three year parts and labor warranty with additional two year coverage on compressor part.

Merchandiser to be UL and C-UL listed and UL EPH classified. Merchandiser will also meet Canadian energy efficiency regulations.

**NOTE:** Cabinet designed for optimum performance in air-conditioned area at 75°F ambient and 55% relative humidity. All specifications subject to change without notice.



908 Highway 15 North • New Albany, MS 38652

PHONE: 800-647-1284 or 662-534-9061 • FAX: 800-232-3966 or 662-534-6049 • www.master-bilt.com

