



BLG-48-HGP

## BLG-HGP SERIES

Bottom Mounted  
 Full-Height  
 Swing Glass Door  
 Freezer Merchandisers

### MODELS

- BLG-23-HGP
- BLG-27-HGP
- BLG-48-HGP
- BLG-74-HGP

## FEATURES

### New Glass Door Features:

- Most energy efficient freezer door in the industry – zero heat
- Advanced insulated glass pack construction offers humidity protection up to 74% RH\*
- Anti-fog coating means doors are always clear, even during openings and heavy use
- Increased reliability by eliminating electrical components

\*Based on lab testing at 75°F ambient temperature and -10°F case temperature

- Standard finishes: White interior/white exterior or black exterior/black interior
- Stainless steel floor
- 1<sup>3</sup>/<sub>4</sub>" thick state-of-the-art, foamed-in-place "zero ODP" polyurethane insulation provides high R-value
- Adjustable legs for leveling
- Four adjustable heavy-duty epoxy-coated cantilever shelves with price tag molding per door
- Merchandiser profile matches other BLG/BMG Plus refrigerator and freezer models

- Top mounted, low profile interior evaporator housing
- Energy-free condensate removal
- Refrigerant: R-404A
- Refrigerant controlled by thermostatic expansion valve
- Temperature range: 5° to -15°F (-18° to -26°C)

### WARRANTY

- **Standard limited three year parts and labor**
- **Additional two year coverage on compressor part**

### CONSTRUCTION

- Standard interior double row LED lighting
- Standard programmable electronic controller featuring:
  - Audible and visual alarm
  - Eliminates room thermostat, defrost termination/fan delay control, defrost timer and digital thermometer or other temperature indicator
- 24 gauge painted textured galvanized steel interior and exterior

### DOORS

- Full-height doors
- Auto-close, triple pane
- 90° hold-open feature
- Contemporary style door frame and handles
- Heavy-duty universal workflow handles
- Easily replaceable snap-in magnetic vinyl door gaskets

### REFRIGERATION

- Self-contained bottom mount refrigeration system designed for optimum energy efficiency and low noise
- ENERGY STAR qualified, may be eligible for rebate programs

### OPTIONS

- Add suffix "R" for remote refrigeration (BLG-48-HGP & BLG-74-HGP models only)
- Stainless steel interior and/or exterior
- Custom exterior colors
- Additional shelving
- Flat bottom shelf with legs
- Bottom baskets
- Casters
- Leg kits
- Door locks
- Proximity switches



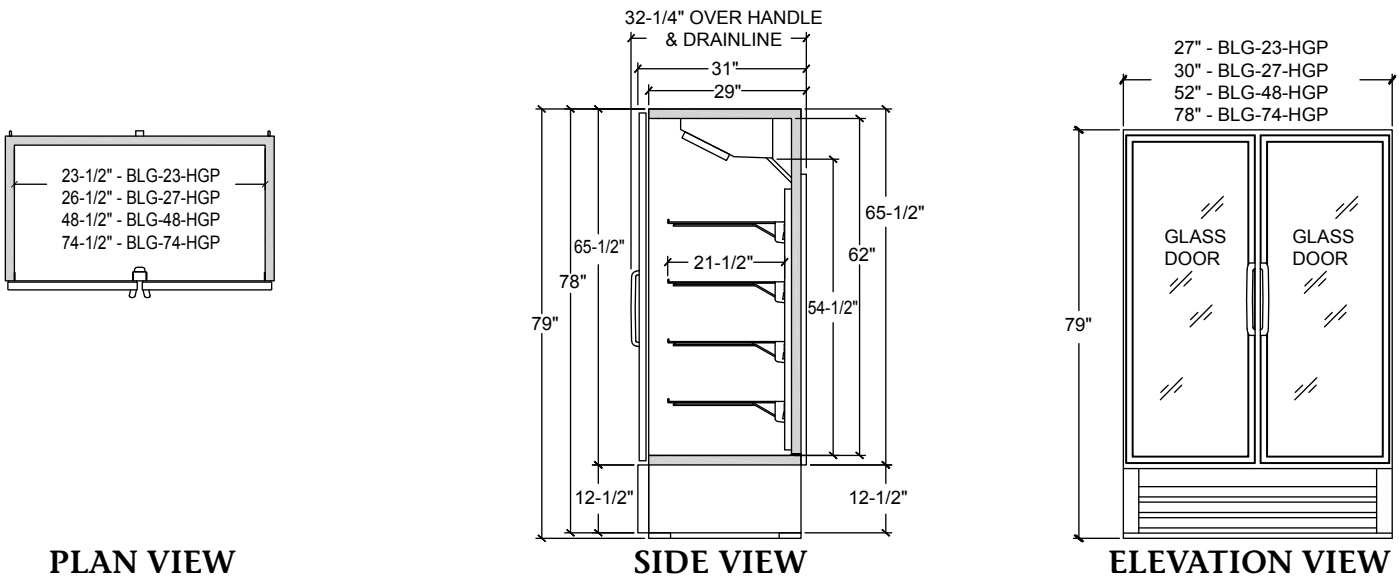
# BLG-HGP SERIES

## BOTTOM MOUNTED FULL-HEIGHT SWING GLASS DOOR FREEZER MERCHANDISERS

### TECHNICAL SPECIFICATIONS

MODEL	DIMENSIONS (in.)			DIMENSIONS (mm)			VOLTS	AMPS	UNIT H.P.	NO. OF DOORS	NO. OF SHELVES	SHELF SIZE (in.)	WEIGHT CAP. PER SHELF (LB/KG)	CAP. CU. FT.	SHIP WT. (LB/KG)
	L	D*	H	L	D*	H									
BLG-23-HGP	27	32 <sup>1</sup> / <sub>4</sub>	79	686	819	2007	115	7.5	1/2	1	4	22 <sup>1</sup> / <sub>2</sub> L x 21 <sup>1</sup> / <sub>2</sub> D	92/42	22.1	365/166
BLG-27-HGP	30	32 <sup>1</sup> / <sub>4</sub>	79	762	819	2007	115	7.5	1/2	1	4	25 <sup>1</sup> / <sub>2</sub> L x 21 <sup>1</sup> / <sub>2</sub> D	105/48	25.0	380/173
BLG-48-HGP	52	32 <sup>1</sup> / <sub>4</sub>	79	1321	819	2007	115	12.3	3/4	2	8	23 <sup>1</sup> / <sub>2</sub> L x 21 <sup>1</sup> / <sub>2</sub> D	92/42	45.7	575/261
BLG-74-HGP	78	32 <sup>1</sup> / <sub>4</sub>	79	1981	819	2007	115/ 208-230**	12.8	1	3	12	23 <sup>1</sup> / <sub>2</sub> L x 21 <sup>1</sup> / <sub>2</sub> D (ends), 25 <sup>1</sup> / <sub>2</sub> L x 21 <sup>1</sup> / <sub>2</sub> D (center)	92/42 (ends), 105/48 (center)	70.2	770/350

\*Includes door handle and rear drainline cover. \*\*208-230/60/1 also requires neutral and safety ground wire.



### PLAN VIEW

### SIDE VIEW

### ELEVATION VIEW

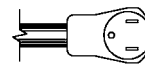
### LISTINGS



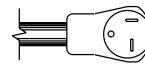
- Listed under NSF-7 for the storage and/or display of packaged food
- Meets Canadian energy efficiency regulations

### HOOKUP

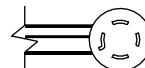
All models except BLG-74-HGP via plug in, 10 foot long, flexible three wire 14/3 cord with molded plug.



NEMA 5-15P (BLG-23-HGP & BLG-27-HGP)



NEMA 5-20P (BLG-48-HGP)



NEMA L14-20P (BLG-74-HGP)

BLG-74-HGP via plug in, 10 foot long flexible four wire 208-230v 14/4 cord with neutral and ground wires and molded plug.

### BID SPECIFICATIONS

Item no. BLG-\_\_\_\_-HGP. Provide \_\_\_\_ Bottom Mounted Full-Height Swing Glass Door Freezer Merchandiser(s), Master-Bilt® model no. BLG-\_\_\_\_-HGP.

Merchandiser will be constructed of 24 gauge painted textured galvanized steel interior and exterior. Standard equipment will include interior LED lighting, programmable electronic controller system, and four

epoxy-coated cantilever shelves with price tag molding per door.

Full-height, auto-close doors will be equipped with triple pane glass and anti-fog coating on inside.

Refrigeration system will be self-contained and designed for optimum energy efficiency and low noise. An energy-free condensate removal system will also be standard.

The refrigerant will be R-404A. Temperature range will be 5° to -15°F (-18° to -26°C).

Merchandiser to have standard limited 3 year parts and labor warranty with additional 2 year coverage on compressor part.

Merchandiser to be UL and C-UL listed, UL EPH classified, and ENERGY STAR qualified. Merchandiser will also meet Canadian energy efficiency regulations.

**NOTE:** Cabinet designed for optimum performance in air-conditioned area at 75°F ambient and 55% relative humidity. All specifications subject to change without notice.



908 Highway 15 North • New Albany, MS 38652

PHONE: 800-647-1284 or 662-534-9061 • FAX: 800-232-3966 or 662-534-6049 • www.master-bilt.com

