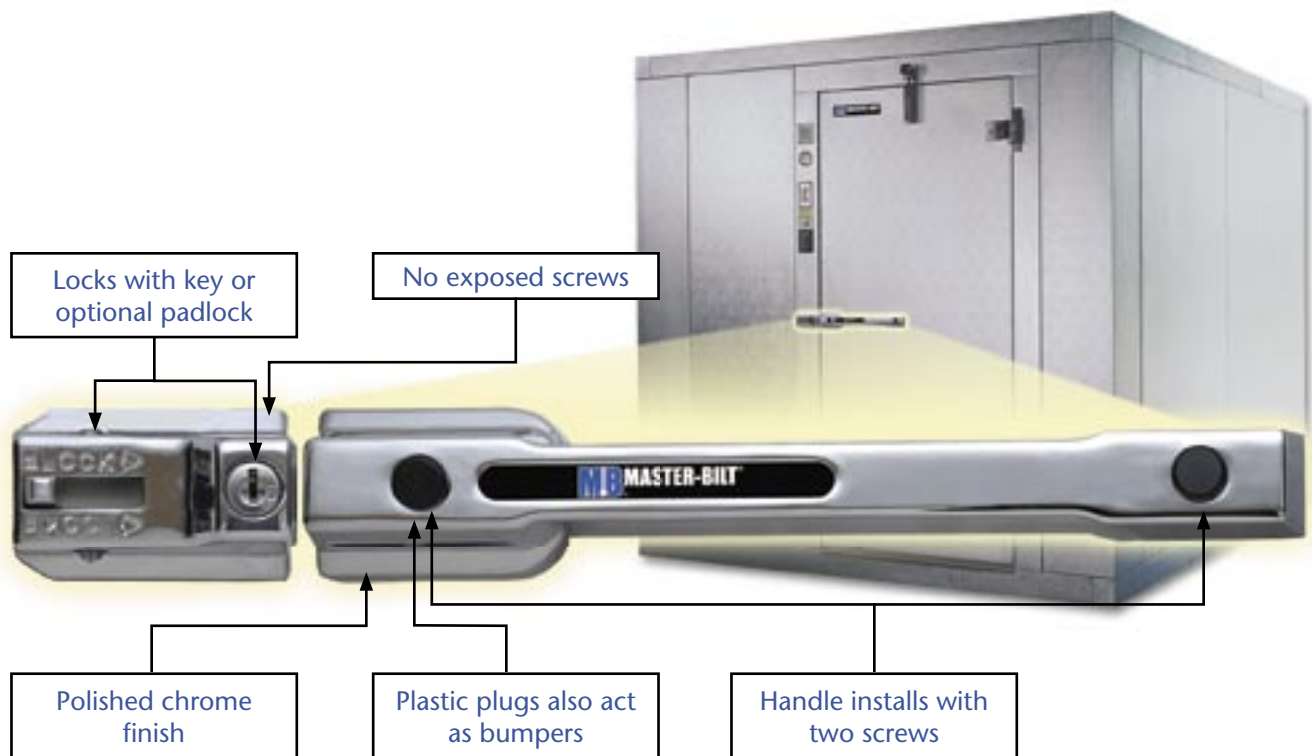
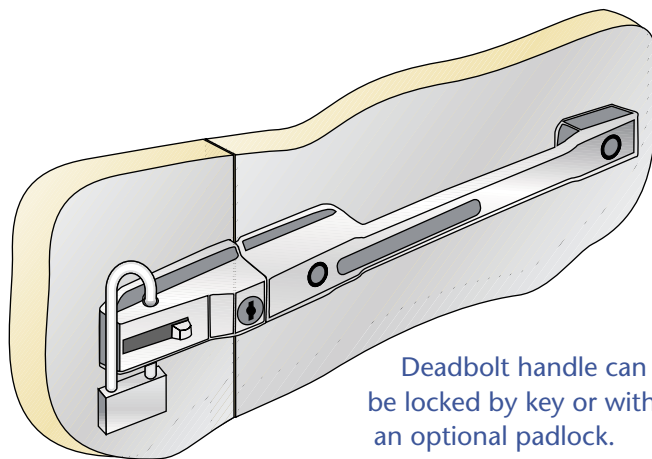


## DEADBOLT LOCKING HANDLE standard on all walk-ins at NO ADDITIONAL COST



### EXTRA SECURITY WITHOUT EXTRA COST

- The entire locking system is on the door frame.
- There are no exposed screws anywhere on the locking mechanism.
- The locking mechanism can't be removed from the door frame exterior. Even if the handle is removed (while in locked position), the door remains locked by the deadbolt which is extended over the door exterior.
- The locking mechanism includes an inside safety release knob to avoid accidental entrapment in the walk-in.
- The handle can also be locked in the fully unlocked position with key and/or padlock to prevent unauthorized locking of the door.



800-647-1284 • [www.master-bilt.com](http://www.master-bilt.com)